

NINJA®

Professional Stackable Chopper

NJ1002UK series

OWNER'S GUIDE



IMPORTANT SAFETY INSTRUCTIONS

For Household Use Only

WHEN USING ELECTRICAL APPLIANCES, BASIC SAFETY PRECAUTIONS SHOULD ALWAYS BE FOLLOWED, INCLUDING THE FOLLOWING:

READ ALL INSTRUCTIONS BEFORE USING YOUR NINJA® PROFESSIONAL STACKABLE CHOPPER.

IMPORTANT: This appliance is not intended for use by persons with reduced physical, sensory or mental capabilities, or lack of experience and knowledge, unless they have been given supervision or instruction concerning use of the appliance by a person responsible for their safety.

Children shall not use or play with this appliance. Close supervision is necessary to keep appliance and cord out of reach of children during use.

⚠ WARNING:
TO REDUCE THE RISK OF FIRE, ELECTRIC SHOCK OR INJURY:

1. To protect against electric shock, **DO NOT** immerse cord, plug or any part of the main unit in water or any other liquids.
2. Check that the voltage indicated on the rating plate corresponds with that of the local network before connecting the appliance to the mains power supply.
3. **DO NOT** allow young children to operate the appliance or use as a toy. Close supervision is necessary when any appliance is used near children.
4. **DO NOT** let the power cord hang over the edge of table or counter, or touch hot surfaces, including the stove.
5. **DO NOT** use with damaged cord or plug.
6. **DO NOT USE** if the appliance is not working, has been dropped, dropped into water, damaged or left outdoors.
7. **NO SERVICEABLE PARTS.** Incorrect re-assembly or repair can cause a risk of electrical shock or injury to persons when the appliance is used. Contact Customer Service.
8. This appliance contains no user-serviceable parts. All repairs should only be carried out by a qualified engineer. Improper repairs may place the user at risk of harm.
9. Remove the power cord from the mains power supply when not in use, before assembling or disassembling parts, and before cleaning.
10. **DO NOT** abuse the power cord. Never carry the appliance by the power cord. To unplug the appliance from the mains power supply, grasp the plug and not the cord and pull to disconnect.

11. **DO NOT** leave the appliance unattended whilst connected to the mains power supply.
 12. **DO NOT** operate this appliance on or near any hot surfaces (such as gas or electric burners or in a heated oven).
 13. The use of accessory attachments, not sold or recommended by the manufacturer may cause fire, electrical shock or risk of personal injury.
 14. Extreme caution must be used when moving an appliance containing hot food, water or other liquids.
 15. **CAUTION: DO NOT PROCESS HOT FOODS OR HOT LIQUIDS.** Allow hot ingredients to cool before processing.
 16. Always use this appliance on a dry, level and stable surface.
 17. **DO NOT** remove the motor head before the chopping blades have stopped turning.
 18. **CAUTION!** Chopping blades are sharp, handle with care, especially when removing the blade from the bowl, emptying the bowl and during cleaning. When handling the chopping blades, always hold by the plastic shaft.
 19. **DO NOT attempt to sharpen blades.**
 20. **DO NOT** expose containers to extreme temperature changes.
 21. **DO NOT** use containers if they are cracked or chipped.
 22. **DO NOT** use the appliance if chopping blades are bent or damaged.
 23. Avoid contact with moving parts at all times. Keep hands, hair, clothing as well as spatulas and other utensils away from moving/cutting blades and containers during operation to prevent risk of severe personal injury and/or damage to the appliance. A scraper may be used but must be used only when the appliance is not running.
 24. **CAUTION: DO NOT BLEND HOT LIQUIDS.**
 25. Immediately release the On/Off pulse button on the motor head in the event that the appliance malfunctions during use.
 26. To reduce the risk of injury, **NEVER** operate the appliance without the splash guard and bowl in place; **DO NOT** try to defeat the interlock mechanism; make sure that the cutting blades are properly assembled before operating the appliance.
 27. **THIS PRODUCT IS INTENDED FOR HOUSEHOLD USE ONLY. DO NOT** use outdoors.
 28. **DO NOT** use appliance for other than intended use.
 29. **DO NOT** operate the appliance for more than 15 seconds.
 30. **DO NOT** operate the appliance empty.
 31. **DO NOT** overfill.
 32. If the appliance overheats, a thermal switch will become activated and shut off the motor. To reset, unplug the appliance and let it cool down for approximately 10 minutes before using again.
 33. Be certain cover is secured in place before operating the appliance.
- ⚠ WARNING:** Extension cords are not recommended for use with this product.

SAVE THESE INSTRUCTIONS

This appliance complies with the WEEE-Directive 2012/96/EC on the disposal of electrical and electronic equipment (WEEE).



This marking indicates that this product should not be disposed with other household wastes throughout the EU. To prevent possible harm to the environment or human health from uncontrolled waste disposal, recycle it responsibly to promote the sustainable reuse of material sources. To return your used device, please use the return and collection systems or contact the retailer where this product was purchased. They can take this product for environmental safe recycling.

This appliance complies with the European directives for electromagnetic compatibility (EMC) 2014/30/EU and its revisions, as well as Low Voltage Directive (LVD) 2014/35/EU and its revisions.

Guarantee: This product is unconditionally guaranteed for one year against all defects of workmanship and materials. This guarantee does not affect your statutory rights. If this product proves unsatisfactory please contact our customer service department on freephone 0800 862 0453 or by e-mail ukservice@euro-pro.com.

THIS BOOK COVERS MODEL NUMBERS:

NJ1002UKBK 30

NJ1002UKCR 30

NJ1002UKRD 30

TECHNICAL SPECIFICATIONS

Voltage: 220-240V~, 50/60Hz.

Power: 200 Watts

Bowl Capacity: 500 ml

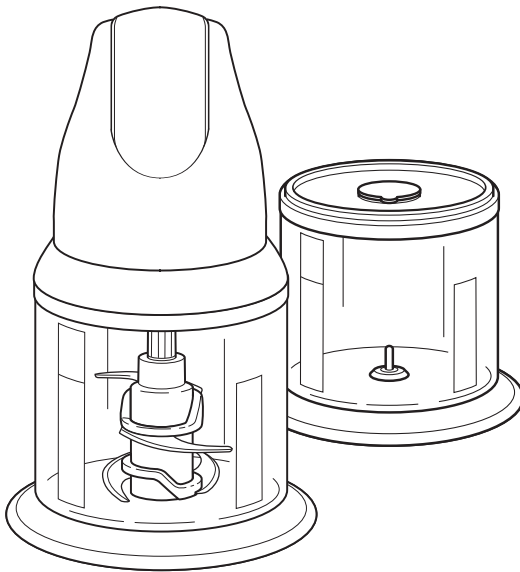
CE



Contents

**Thank you for
purchasing
the Ninja®
Professional
Stackable
Chopper.**

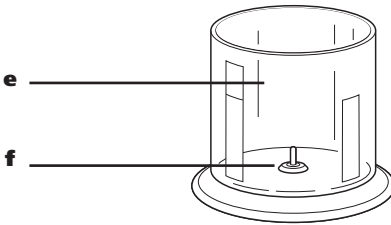
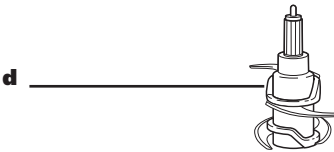
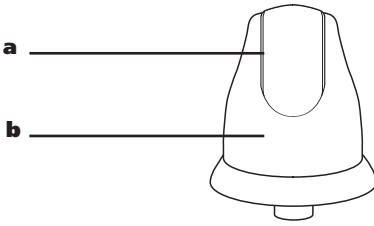
Getting Started	5
Using the Ninja® Professional Stackable Chopper.....	7
Cleaning and Maintenance	9
Troubleshooting Guide.....	9



FEATURES:

- One touch pulse for precise control
- Processor Bowls - BPA Free
- Ninja® 4-blade technology
- Non slip base
- Stackable design for easy storage
- Seal tight storage lids / splash guards
- Dishwasher safe parts

Getting Started



a On/Off Pulse Button

b Power Head

c Splash Guard / Storage Lid (x2)

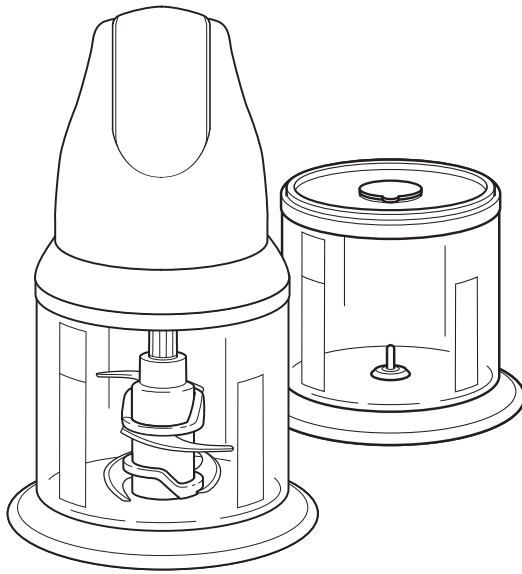
d Ninja® 4-Blade

e Processing Bowl with Non-Slip Base (x2)

f Spindle Pin

g Power Cord (not shown)

The **Ninja®** Professional Stackable Chopper is an essential tool that is perfect for chopping and pureeing when preparing your favorite recipes. For best results, be sure to carefully read all the instructions contained in the manual before using this appliance.

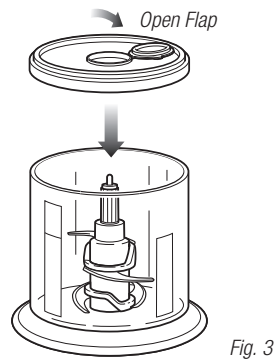
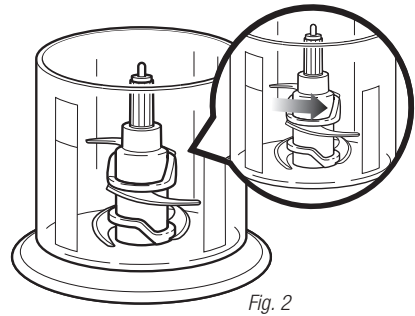
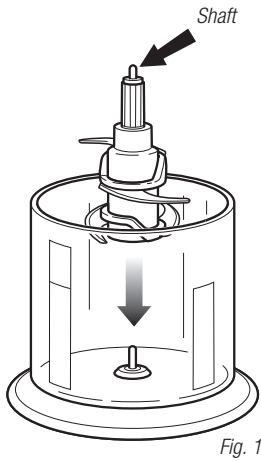


200 Watt Power Head

The 200 watt power head operates on 220-240V~, 50/60Hz. electrical power. **NEVER** allow the power head to become wet when plugged into the mains power supply

- ▲ **WARNING:** The power head should never be immersed in water or any other liquid.
- ▲ **CAUTION:** Make sure that the power head is unplugged from the mains power supply and that the blades have stopped turning before attaching or removing any accessory.
- ▲ **CAUTION:** **Blades are sharp! Handle with care, especially when removing the blade from the bowl, emptying the bowl and during cleaning Use extreme caution when handling the blades. Always hold them by the shaft. Do not attempt to sharpen blades.**
- ▲ **IMPORTANT:** Never run the appliance empty.

Using the Ninja® Professional Stackable Chopper



▲ **CAUTION:** Blades are sharp! Use extreme caution when handling the blades. Always hold them by the shaft.

▲ **CAUTION: DO NOT PROCESS HOT FOODS OR HOT LIQUIDS.** Allow hot ingredients to cool before processing.

▲ **IMPORTANT:** Never run the appliance empty.

1 Place the processor bowl on a clean, dry, level surface.

2 Holding the chopping blade by the shaft, carefully place it over the spindle pin inside the processing bowl. (Fig. 1)

▲ **IMPORTANT:** Always assemble the blades inside the container.

▲ **WARNING: DO NOT** try to place the blades onto the power head and then into the Ninja® Professional Stackable Chopper.

3 Carefully spin the blade anticlockwise to make sure that it has inserted properly. (Fig. 2)

4 Place the food ingredients into the bowl.

▲ **IMPORTANT:** Never add ingredients into the processing bowl before placing the blade assembly in first.

▲ **CAUTION: DO NOT** add ingredients past the 450 ml mark or 250 ml liquid ingredients as this may cause overflow.

5 Place the splash guard / storage lid on the bowl. (Fig. 3)

▲ **CAUTION: DO NOT** operate without the splash guard in place.

6 Open the flap on the splash guard. (Fig. 3)

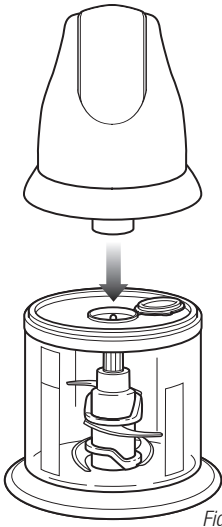


Fig. 4

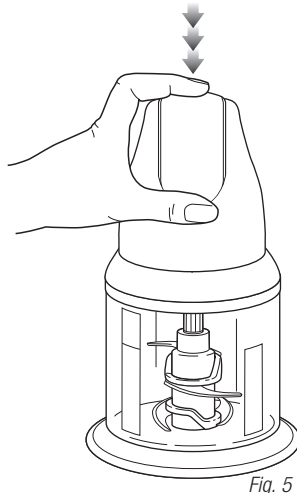


Fig. 5

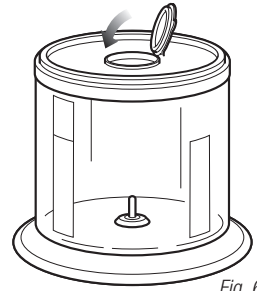


Fig. 6

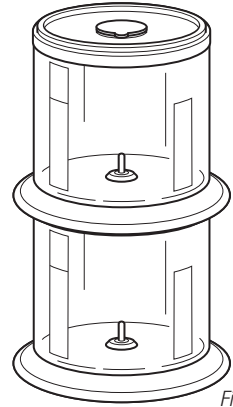


Fig. 7

- 7 Place the power head on top of the splash guard making sure that it is securely in place. **(Fig. 4)**
 - 8 To start the appliance, plug the power cord into the mains power supply. While holding the power head, press down on the paddle located on top of the power head in short intervals. **(Fig. 5)**
 - 9 Hold the bowl while pulsing the On/Off paddle to ensure the unit stays in place.
- ▲ NOTE: DO NOT** operate the appliance continuously for more than 15 seconds at a time. Be careful not to over process. For coarsely chopped foods, use repeated short pulsing action until the desired consistency is reached.
- 10 To stop the appliance, remove your fingers from the on/off paddle.
 - 11 For best results, press the on/off paddle in short pulses.
 - 12 Make sure that the blades have stopped completely before removing the power head.
 - 13 Remove the blade assembly by its shaft before you empty the contents of the processing bowl.
 - 14 Place the storage lid onto the top of the processing bowl and close the flap to store. **(Fig. 6)**

Stacking & Storing

- Place the lid securely on the bowl and close the flap to store.
- Remove the chopping blade when storing the bowls with food inside.
- The bowls can be stacked for storing in the refrigerator or cabinet. **(Fig. 7)**

NOTE: The bowls do not lock together when stacked for storage. Be careful when removing stacked bowls from the refrigerator or cabinet.

- Use a dry erase marker to write the date or contents in the indicator area if so desired. To remove the dry erase marker, wipe clean with a damp cloth.

Cleaning and Maintenance

▲ **CAUTION:** Make sure that the power head is unplugged from the mains power supply before inserting or removing any attachment and before cleaning.

DO NOT immerse the power head into water or any other liquid. Clean with a damp sponge or cloth and wipe dry.

CLEANING: The processing bowls, splash guards/storage lids, and chopping blade are all dishwasher safe. Carefully place the parts on the top rack.

▲ **CAUTION:** Blades are very sharp.

Troubleshooting Guide

PROBLEMS	POSSIBLE REASONS & SOLUTIONS
Motor Doesn't Start or Blades Don't Rotate.	<p>Check that the bottom of motor head is clean and there is no food blocking connection when placing on containers.</p> <p>There is too much food in the container.</p> <p>The unit has overheated. Unplug and wait approximately 10 minutes before using again.</p> <p>Make sure the power head is securely placed on splash guard.</p> <p>Check that the plug is securely inserted into the mains power supply.</p> <p>Check fuse or breaker. Replace fuse/reset breaker.</p>
Food is Unevenly Chopped.	<p>Either you are chopping too much food at one time, or the pieces are too big. Try cutting the food into smaller pieces of even size and processing smaller amounts per batch.</p>
Food is Chopped Too Fine or is Too Watery.	<p>The food has been over processed. Use brief pulses or process for shorter time. Let blades stop completely between pulses.</p>



Euro-Pro Europe Limited
15 Mariner Court
Calder Park
Wakefield
WF4 3FL

Freephone 0800 862 0453

www.ninjakitchen.eu

Copyright © 2016 Euro-Pro Europe Limited

Euro-Pro and Ninja are trademarks of Euro-Pro Europe Limited.

Printed in China

Illustrations may differ from actual product. We are constantly striving to improve our products, therefore the specifications contained herein are subject to change without notice.

NJ1002UK_Series_30_IB_ENG_160201_1

CE

